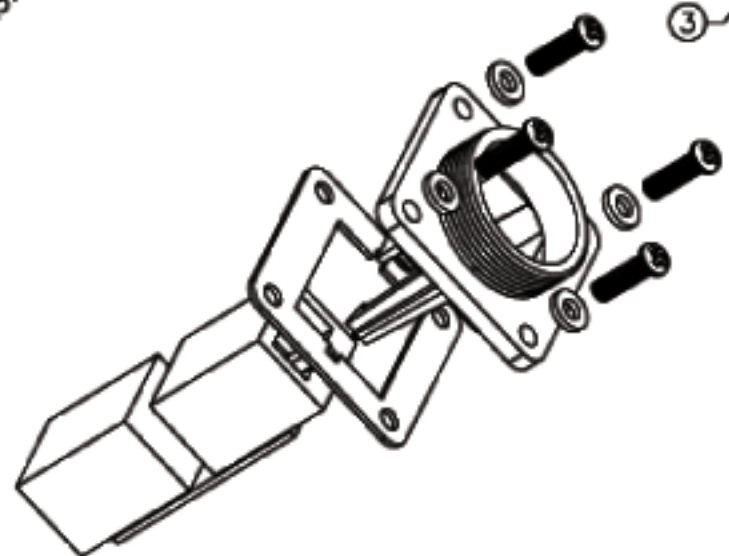
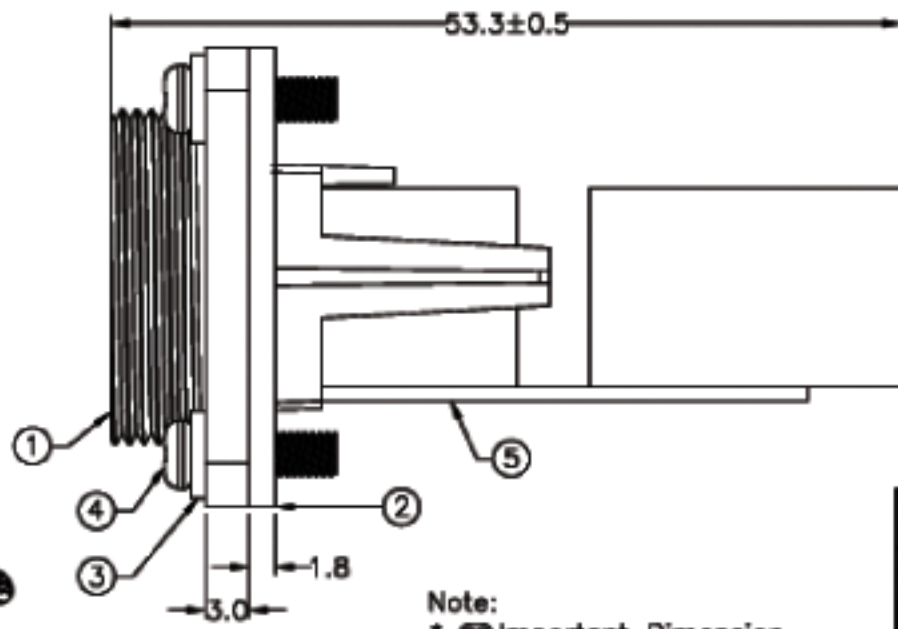
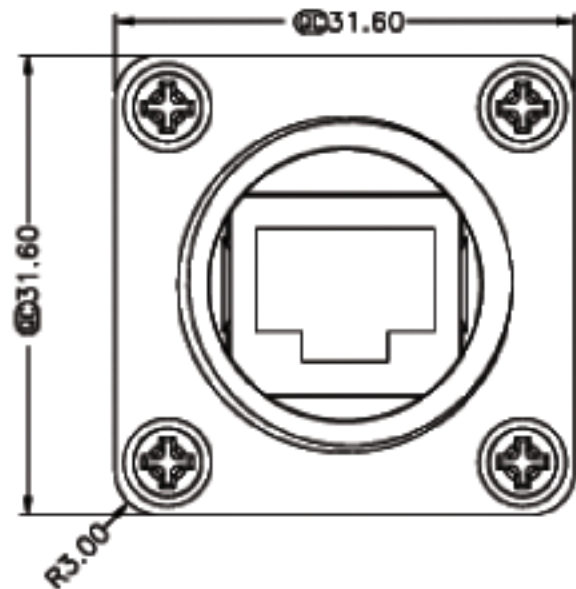


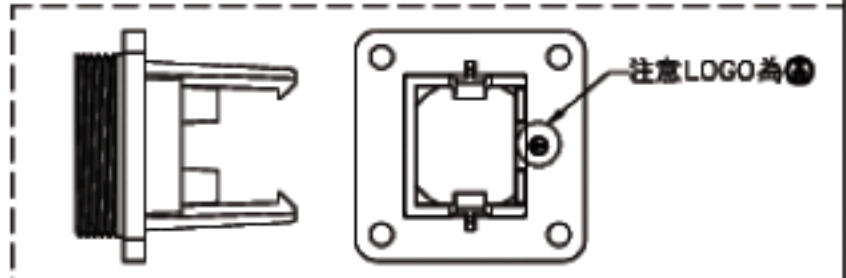
REV.	REV. NO.	DATE	BY	DESCRIPTION



APPROVED

SIGNATURE	
DATE	

- Note:
- * \varnothing Important Dimension.
(\varnothing 為重點尺寸)
 - * Waterproof Rate:IP67
 - * Connector:Black,ABS
 - * Set ②③④ in One 1# Zipper Bag
(零件②③④ 封包於1個1號夾鏈袋內)

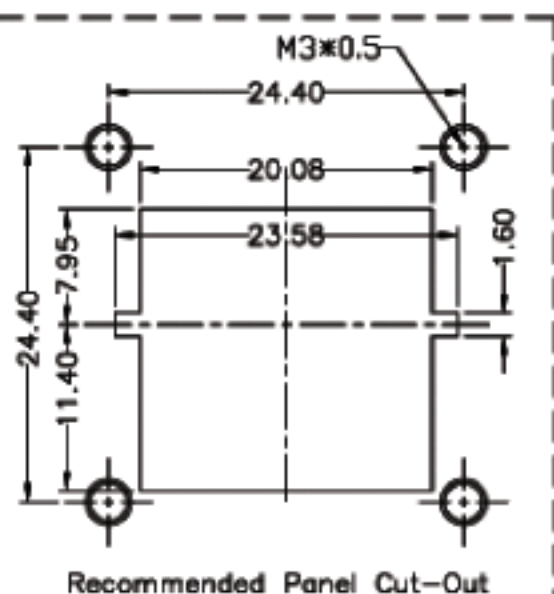
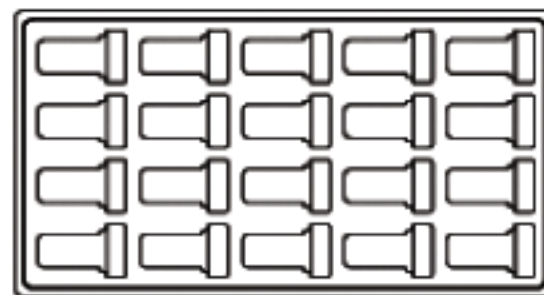
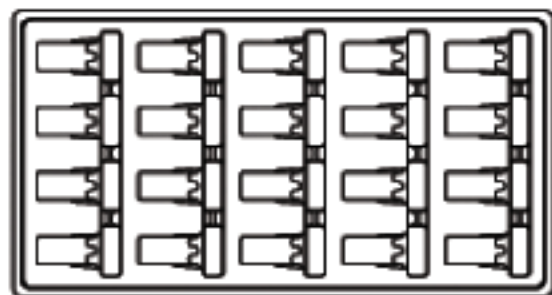


UNIT:mm		RZ		RJ45 Shielded Cat5e Jack	
TOLERANCE		SCALE	Free	SHEET	1 OF 2
J	±0.25	REV.	01	SIZE	A4
JX	±0.1			\varnothing	inspection item
JXX	±0.05				
ANGLES	±1°				

ASSMANN
Electronic Components

ITEM NO	A-RJ45GFS-R	DRAWN BY	DongYaLi	DATE	2006/05/08
DWG NO	A-RJ45GFS-R	CHECKED BY	Robert Hsu	DATE	2006/05/30
		APPROVED BY	Max	DATE	2006/06/02

包裝規範圖



×20PCS



APPROVED
SIGNATURE _____
DATE _____

Note:

- * 一盒可放置20PCS.
- * 使用中箱,(390*350*270).
- * 配件放置請依包裝規範

UNIT:mm		SCALE: Free	SHEET 2 OF 2
TOLERANCE		REV. 01	SIZE A4
JX ±0.25		◎ Inspection Item	
JXX ±0.1			
JXXX ±0.05			
ANGLES ±1°			

RJ45 Shielded Cat5e Jack

ASSMANN
Electronic Components

ITEM NO	A-RJ45GFS-R	DRAWN BY	DongYaLi	DATE	2006/05/08
DWG NO	A-RJ45GFS-R	CHECKED BY	Robert Hsu	DATE	2006/05/30
		APPROVED BY	Max	DATE	2006/06/02